

THE METAL SHOP

www.metalshop.org

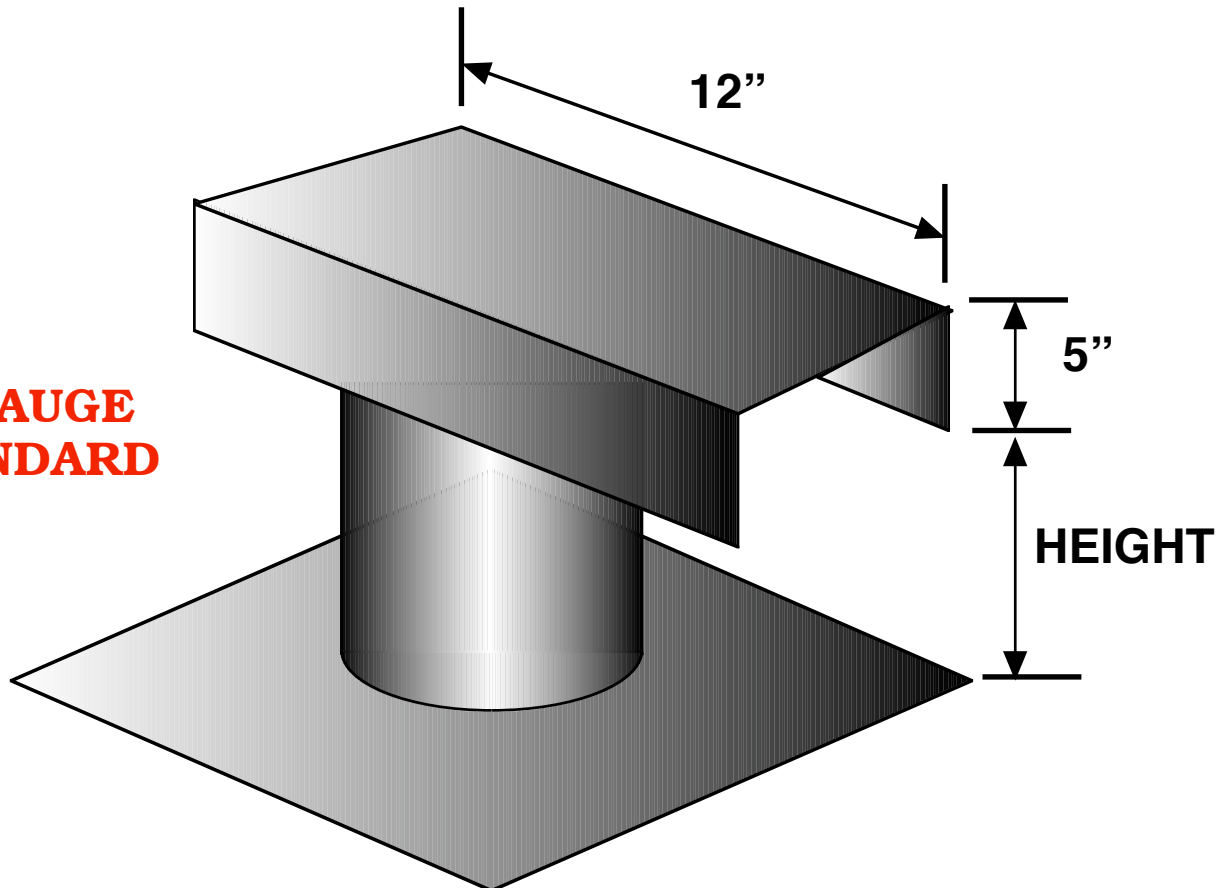
2541 W. Dunnellon
Office: 888-441-2492

Dunnellon, Fl. 34433
Fax: 1-352-522-0007

June 2010

GALVANIZED LINE JACKS FOR REFRIGERANT LINES

**26 GAUGE
STANDARD**



MODEL	OPENING DIAMETER	THROAT HEIGHT	CASE QTY.	LIST PRICE
#575	5"	9"	12	20.44
#577	7"	9"	8	24.50
#578	10"	12"	4	30.52

24 GAUGE AVAILABLE- ADD 5%